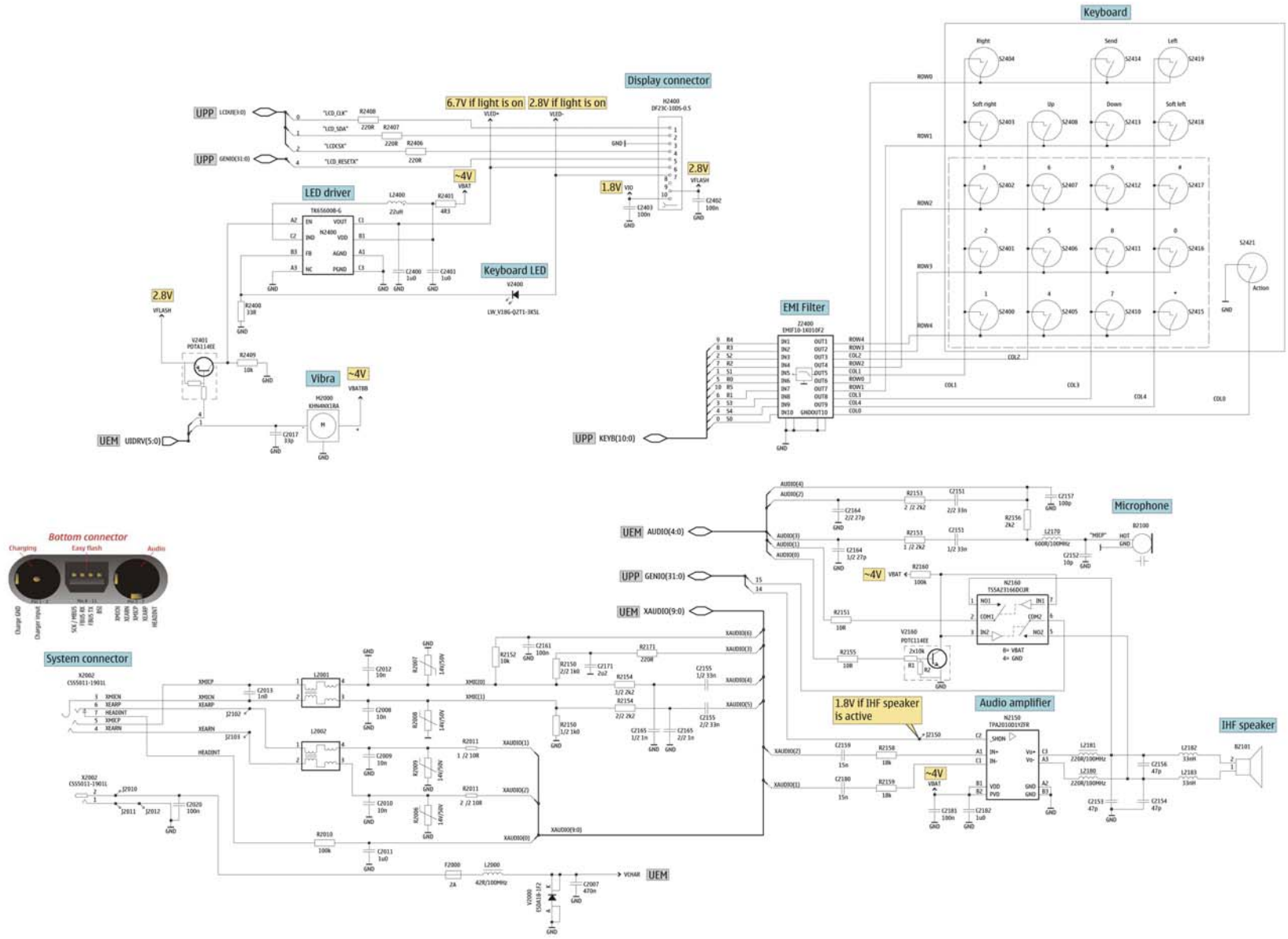
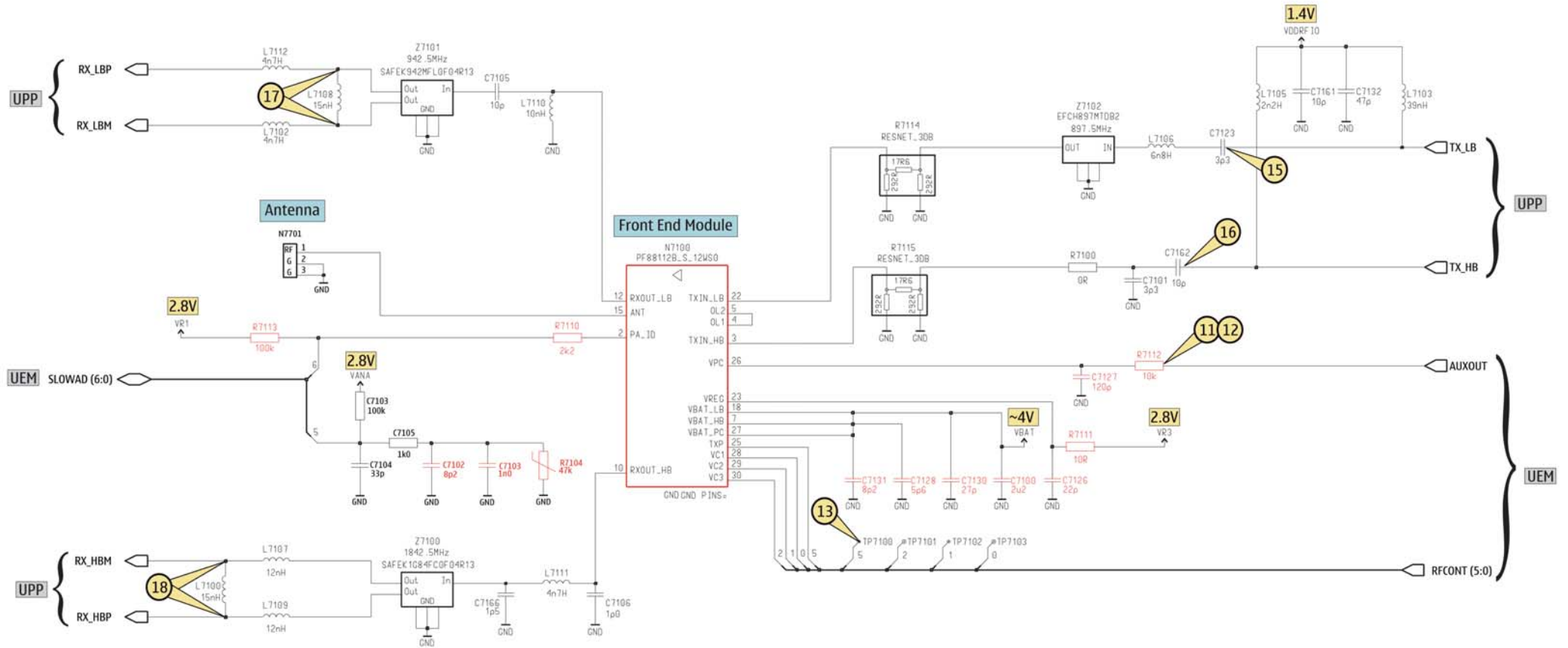


■ System connector and UI



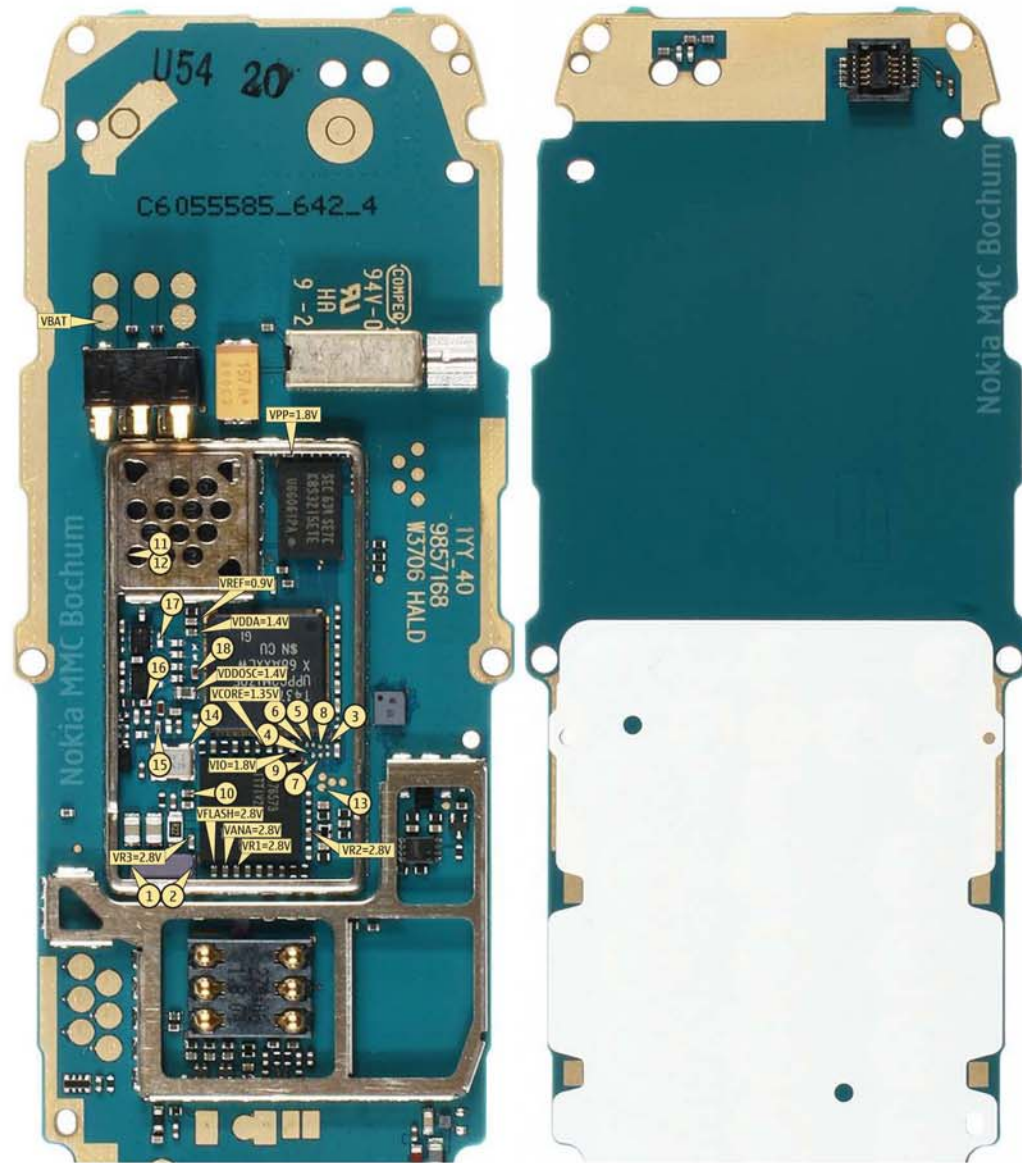
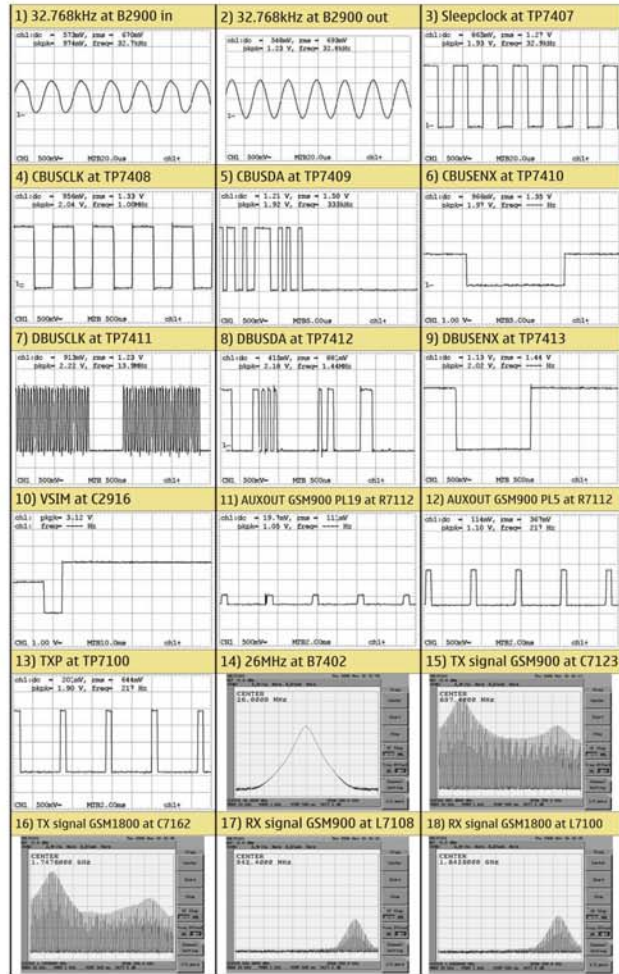


RF Part



All Components marked in red are NOT reworkable due to shielding!

■ Signal overview





■ Component finder

B	C2953	05	L2170	S3	R7103	N6	
B2900	03	C7100	14	L2180	N7	R7104	12
B7402	M3	C7101	M3	L2181	N8	R7105	06
C	C7102	12	L2182	B6	R7110	14	
C2000	G3	C7103	12	L2183	B6	R7111	K2
C2001	H2	C7104	N6	L2400	U6	R7112	12
C2002	G4	C7105	K2	L7100	L4	R7113	14
C2003	R5	C7106	L3	L7102	L3	R7114	M2
C2004	R5	C7123	M3	L7103	M3	R7115	M2
C2005	R5	C7126	12	L7105	M3	R7400	M6
C2006	R5	C7127	12	L7106	M3	R7401	16
C2007	S7	C7128	14	L7107	L3	R7402	15
C2008	R4	C7130	12	L7108	L3	R7403	K4
C2009	R4	C7131	14	L7109	L3	R7404	M4
C2010	R4	C7132	M3	L7110	K3	R7405	M4
C2011	S3	C7161	M3	L7111	L2	R7407	16
C2012	R4	C7162	M3	L7112	L3	T	
C2013	S3	C7166	L2	M	TP7100	N6	
C2017	G5	C7400	M6	M2000	G6	TP7101	N6
C2020	S7	C7403	K4	N	TP7102	N6	
C2151	P4	C7404	L3	N2150	N7	TP7103	N6
C2152	S3	C7405	K5	N2160	O7	TP7401	15
C2153	B6	C7406	M4	N2400	T6	TP7402	16
C2154	B7	C7407	M4	N7100	13	TP7403	15
C2155	P5	C7408	M4	N7701	C2	TP7404	M6
C2156	B6	C7436	M4	R	TP7405	16	
C2157	P3	C7442	M6	R2000	G3	TP7406	M5
C2159	O7	C7444	L6	R2001	O3	TP7407	M6
C2161	P6	C7445	M5	R2002	R5	TP7408	M5
C2164	P5	C7446	L6	R2003	R5	TP7409	M5
C2165	P5	C7447	L6	R2004	R5	TP7410	M5
C2171	P7	C7454	K5	R2005	R5	TP7411	M6
C2180	O7	C7455	M5	R2006	R4	TP7412	M6
C2181	N8	C7456	K6	R2007	R4	TP7413	M5
C2182	N8	C7457	K6	R2008	R4	TP7414	M6
C2262	O7	C7458	K4	R2009	R4	TP7415	J6
C2263	O7	C7459	M3	R2010	S3	TP7416	16
C2330	H2	C7463	J5	R2011	R4	TP7417	J6
C2400	U4	C7464	J5	R2020	R5	TP7418	16
C2401	U5	D	R2021	R5	V2000	S8	
C2402	C2	D2901	N4	R2068	S2	V	
C2403	C2	D7400	J5	R2069	S2	V2160	N8
C2405	N2	D7402	L5	R2070	S2	V2400	U5
C2700	R3	F	R2150	P6	V2401	U3	
C2901	O3	F2000	T7	R2151	O7	X	
C2902	O3	H	R2152	P6	X2005	G3	
C2909	N3	H2400	G3	R2153	P4	X2060	T3
C2910	O4	J	R2154	P6	X2700	O4	
C2911	M5	J2000	F2	R2155	O7	X3180	I7
C2912	M5	J2001	F3	R2156	P3	Z	
C2913	O4	J2002	F3	R2158	N7	Z2400	M7
C2914	O5	J2003	F2	R2159	N7	Z7100	L3
C2915	O5	J2004	F3	R2160	O8	Z7101	K3
C2916	N4	J2010	T6	R2171	P6	Z7102	M2
C2917	O5	J2011	U4	R2400	U5		
C2918	O4	J2012	T6	R2401	U6		
C2919	O5	J2060	Q2	R2406	J7		
C2920	O4	J2063	Q2	R2407	J7		
C2933	N4	J2102	T4	R2408	J7		
C2937	O4	J2103	S4	R2409	T4		
C2940	N6	J2150	N8	R2700	P4		
C2941	O6	J2849	K7	R2900	O3		
C2948	O5	J3361	O2	R2901	N6		
C2949	N5	L	R2902	O6			
C2950	N5	L2000	T7	R2908	N3		
C2951	N3	L2001	R4	R2909	O6		
C2952	O5	L2002	R4	R7100	M3		

All components marked in red are NOT reworkable due to shielding!

